

DIAPHRAGM VACUUM PUMP

LABOPORT® SD N 840.3 FT.40.18

DATA SHEET E 273



Technical features

- 100 % oil-free transfer – thereby pure transferring, evacuation and compression of gases
- Integrated KNF self-drying system ensures that condensate is quickly removed from the pump heads without the vacuum being altered. This significantly reduces process time and preserves the pump heads.
- Chemically resistant and thus ideal for use with extremely aggressive/corrosive gases and vapors
- Maintenance-free
- Environmentally friendly
- Gastight, leakage rate approx. 6×10^{-3} mbar x l/s, not tested in serial production

Technical data

Flow rate [m ³ /h] at atm. pressure	2.04
Flow rate [l/min] at atm. pressure	34
Ultimate vacuum [mbar abs.]	10
Operating pressure [bar g]	1
Voltage [V]	230
Frequencies [Hz]	50
Motor protection	IP 44
Power P ₁ [W]	245
Operating current [A]	1.5
With thermal switch and power fuse	
Motors with other voltages and frequencies on request	

MATERIALS

Pump head	PTFE
Diaphragm	PTFE-coated
Valves	FFPM

OTHER DATA

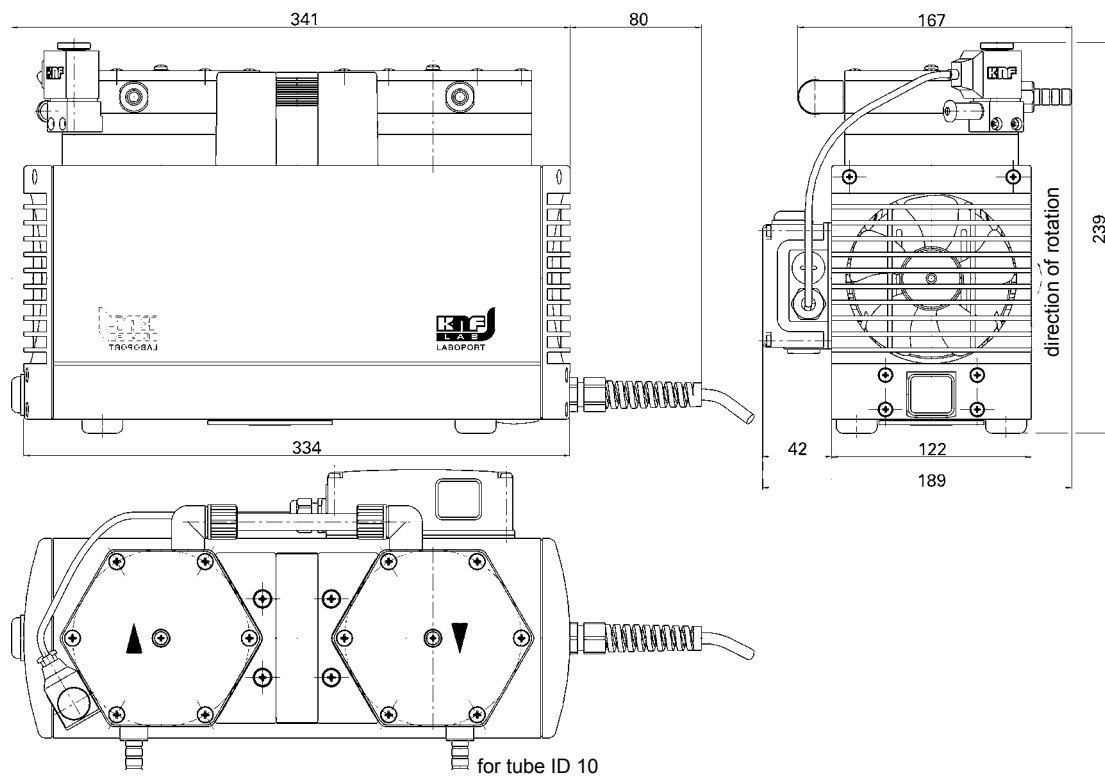
Weight [kg]	12.9
Hose connections	ID 10
Dimensions W x H x D [mm]	189 x 239 x 341
Permissible media and ambient temperature [°C]	+5 ... +40

ACCESSORIES

	ID
Spares kit	057359

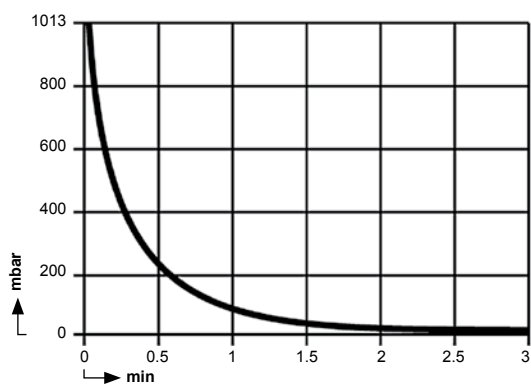
Dimensions

N 840.3 FT.40.18

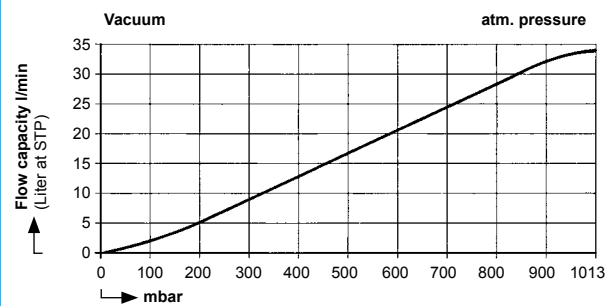


Performance characteristics

PUMP DOWN TIME FOR 10 LITER VESSEL



FLOW CAPACITY





WolfLabs

Pricing on any accessories shown can be found by keying the part number into the search box on our website.

The specifications listed in this brochure are subject to change by the manufacturer and therefore cannot be guaranteed to be correct. If there are aspects of the specification that must be guaranteed, please provide these to our sales team so that details can be confirmed.

www.wolflabs.co.uk

Tel : 01759 301142

Fax : 01759 301143

sales@wolflabs.co.uk

Please contact us if this literature doesn't answer all your questions.